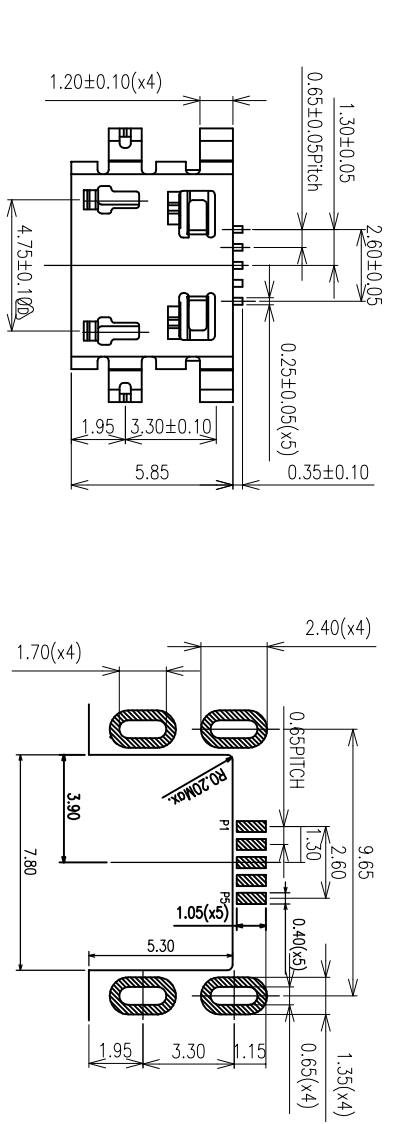
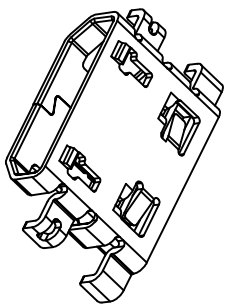
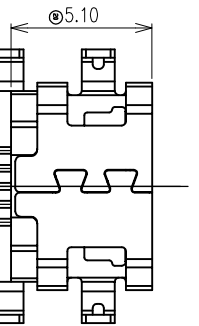
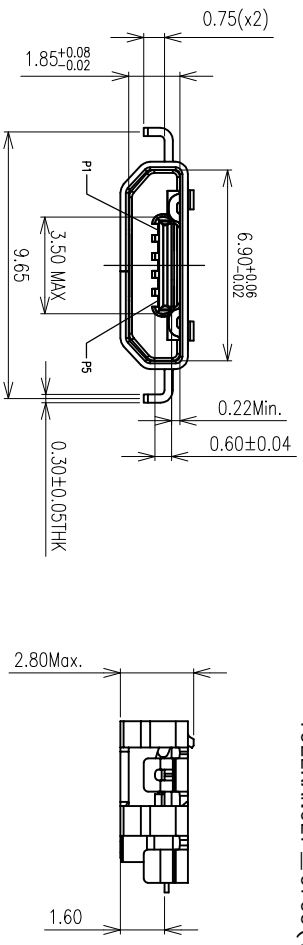


REV	EON #	DESCRIPTION	DRAWING	APPROVED	DATE
A		NEW RELEASE	DEV1		2012.06.28



RECOMMENDED PCB LAYOUT
TOLERANCE: ±0.05 (TOP VIEW)



- NOTES:
- MATERIAL: THERMOPLASTIC FLAMMABILITY RATING UL94V-0
 - 1.1 HOUSING: THERMOPLASTIC FLAMMABILITY RATING UL94V-0
 - 1.2 CONTACT: COPPER ALLOY T=0-15mm
 - 1.3 SHELL: STAINLESS STEEL T=0-30mm
 2. FINISH:
 - 2.1 CONTACT:
 - 30~Min. PLATED ON CONTACT AREA
 - G/F PLATING ON SOLDER TAIL AREA
 - 50~80μm NICKEL UNDERPLATING OVERALL
 - 2.2 SHELL:
 - 80~120 μm MATTER TIN PLATING ALL
 - 50~80μm NICKEL UNDERPLATING OVERALL
 - SPECIFICATION:
 - 3.1 CURRENT RATING: 0.5A(2.3CONTACT)/1.8A(1.5CONTACT) MAX.
 - 3.2 VOLTAGE: 30 VAC
 - 3.3 TEMPERATURE RANGE: -30 °C ~ 85 °C
 - 3.4 CONTACT RESISTANCE: 30 MILLIONHM MAX.
 - 3.5 DIELECTRIC WITHSTANDING VOLTAGE: 250 VAC r.m.s
 - 3.6 INSULATION RESISTANCE: 100 MEGOHMS MIN

PRODUCT NO.

MU08 - 05 A B 03 - 04

- ① 产品系列: MU08: MICRO USB 连接器
- ② 产品PIN数: 05: 5PIN
- ③ 材质: A: LCP
- ④ 产品流水码: 04: 四脚插板无翻边, 沉板1.6mm

CUSTOMER DRAWING		YTCOON	
GENERAL TOLERANCE	X: ±0.20 XX: ±0.15 XXX: ±0.10	DRAWING	DEV1
ANGLE TOLERANCE	X: ±3° XX: ±2° XXX: ±1°	APPROVED	
		DATE	2014. 12. 25
		UNIT	mm
		SCALE	1:1
		SIZE	A4
		SHEET	1of1
		REV	A
		DRAWING NO.	C-MU08-04
		TITLE:	MICRO USB 5P 沉板1.6 四脚插板无翻边
		P/N:	MU08-05AB03-04
		Dongguan YTCOON Electronics Technology Co., Ltd	
		http://www.ytconn.com	