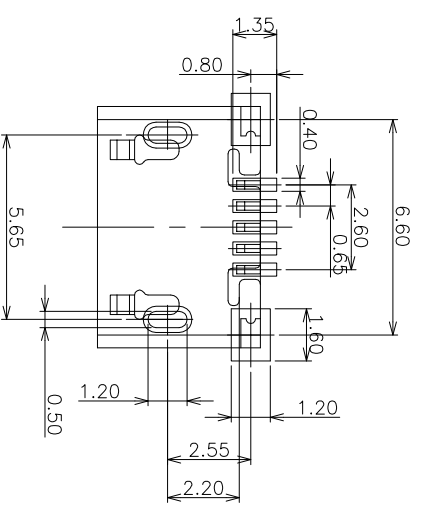
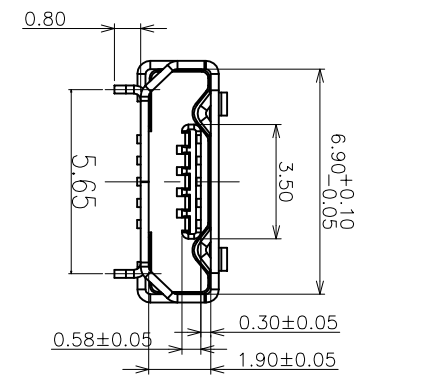
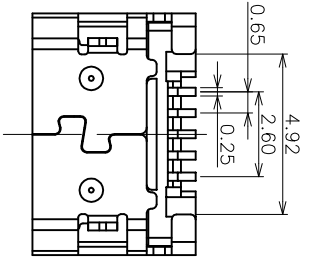
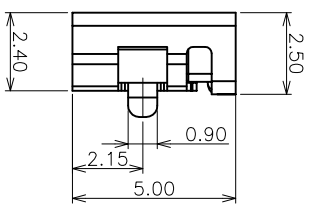
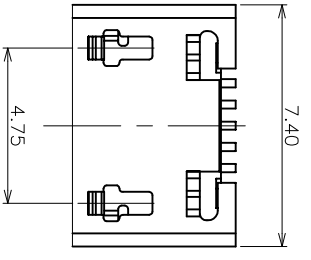
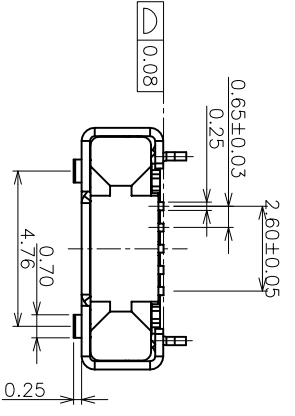
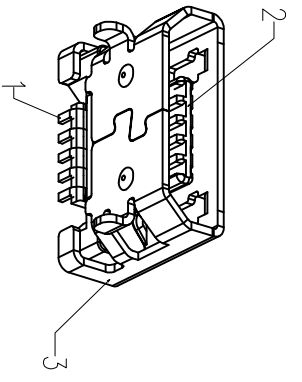


REV	ECH #	DESCRIPTION	DRAWING	APPROVED	DATE
A		NEW RELEASE	DEY1		2012.11.05



RECOMMENDED PCB LAYOUT(TOP VIEW)
GENERAL TOLERANCES:±0.05

- NOTES:
- MATERIAL:
 - PIN&SHELL: ALLOY COPPER
 - INSULATOR: HIGH TEMPERATURE THERMOPLASTICS UL94V-0, BLACK.
 - ELECTRICAL SPECIFICATIONS:
 - VOLTAGE RATING: 250 VAC MIN
 - CURRENT RATING: 2.0 A MIN
 - DIELECTRIC STRENGTH: 100 VAC FOR 1 MINUTE MIN
 - INSULATION RESISTANCE: 100 MEG OHM MIN
 - CONTACT RESISTANCE: 100 MILL.OHM MAX
 - OPERATION TEMPERATURE: -55ï¿½ TO +125ï¿½
 - MECHANICAL SPECIFICATIONS:
 - 3.1 DURABILITY: 5,000 CYCLES
 - THE DIMENSION MARKED NO. SHOULD BE CHECKED IN PRODUCTION.
 - MATERIAL SHOULD BE FILLED ROHS REQUIREMENTS.

PRODUCT NO.

MU05 - 05 A B 05 -25
① ② ③ ④

- ① 产品系列: MU05: MICRO USB 连接器
 - ② 产品PIN数: 05: 5PIN
 - ③ 主体材质: A: PA9T
 - ④ SERIES NO.:
- 25: 5.65mm间距, 无翻边, 无定位柱

TABLE A:

ITEM	NAME	Q'TY/EACH	MATERIAL/FINISH	REMARK
3	SHELL	1	ALL NI PLATED	
2	HOUSING	1	Thermoplastic UL94V-0, BLACK	
1	CONTACT	5	AU PLATED OVER Sn PLATED	

CUSTOMER DRAWING

YTCOON

Dongguan YTCOON Electronics Technology Co., Ltd

GENERAL TOLERANCE		DRAWING		TITLE:	
X ±0.20	X ±0.20	DEY1		MICRO USB SPIN CONNECTOR	
.XX ±0.15	.XX ±0.15	APPROVED		P/N:	MU05-05AB05-25
.XXX ±0.10	.XXX ±0.10	DATE	2013.06.25	DRAWING NO.	C-MU05-25
ANGEL TOLERANCE	X ±3°	UNIT	mm	SCALE	1:1
X ±2°	.XX ±1°	SIZE	A4	SHEET	1 of 1
.XX ±1°	.XX ±1°	REV			A