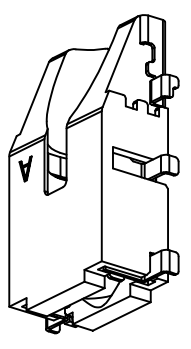
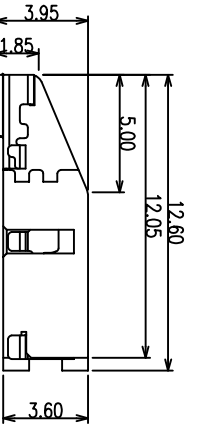
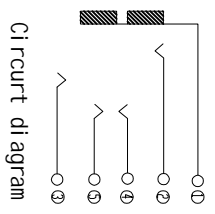
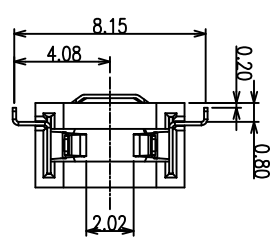
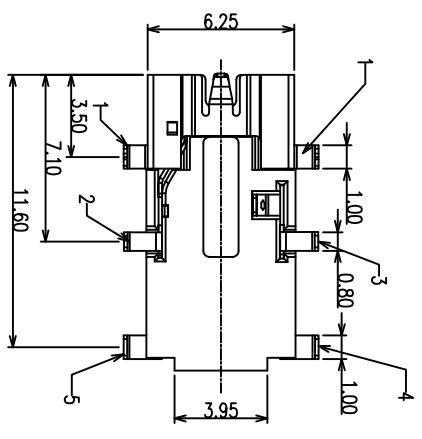
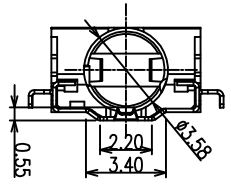


REV	ECON #	DESCRIPTION	DRAWING	APPROVED	DATE
A		NEW RELEASE	DEV1		2012/05/25



- NOTES:
1. CONTACT CURRENT RATING: 1A.
  2. CONTACT RESISTANCE: 50 mΩ MAX.;
  3. INSULATION RESISTANCE: 1000 Ω MIN.;
  4. DIELECTRIC WITHSTANDING: 500V AC MIN.;
  5. DURABILITY: 5,000 CYCLES MIN.;
  6. CONNECTOR MATING FORCES: 29.4N (3.00kgf) MAX.;
  7. CONNECTOR UNMATING FORCES: 2.94N(O.30kgf) MIN.;



PRODUCT NO.

PJ23-05 A B 03-02

① ② ③ ④

① PRODUCT SERIES:  
PJ23: PHONE JACK CONNECTOR.

② PIN NO. :

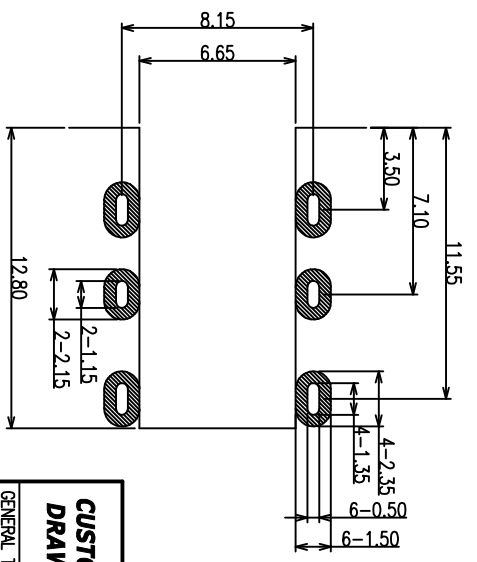
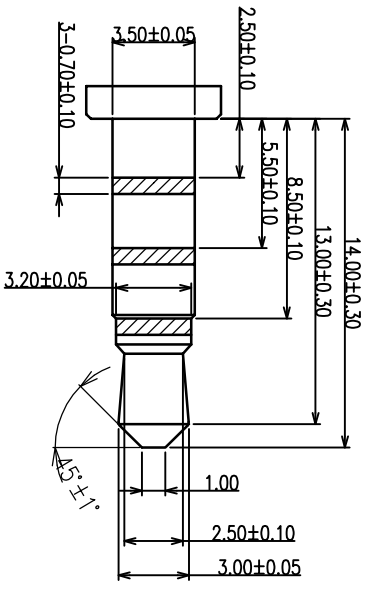
05: 5PIN

③ MATERIAL:

A: PA9T

④ SERIES NO. :

01:斜口, 沉板0.8H



PLUG SPEC

<b>CUSTOMER DRAWING</b>		<b>YTCONN</b>		<b>Dongguan YTCONN Electronics Technology Co., Ltd.</b>	
GENERAL TOLERANCE	DRAWING	DEV1	TITLE:	PHONE JACK CONNECTOR沉板0.8H斜口	
X ±0.20	APPROVED		P/N:	PJ23-05AB03-02	
.XX ±0.15	DATE	2013. 11. 23	DRAWING NO.	C-PJ23-02	
.XXX ±0.10	UNIT	mm	SCALE	1:1	SIZE A4
ANGEL TOLERANCE			SHEET	1of1	REV A
X ±.5°					
.XX ±.2°					
.XXX ±1°					