

- NOTES :
1. (0) RATING :
 - 1.1. VOLTAGE : 12 VDC (R.M.S.)
 - 1.2. CURRENT : 1 AMPERE MAXIMUM PER CONTACT AT 30° C T-RISE
 - 1.3. TEMPERATURE : -25° C TO +85° C
 2. (0) ELECTRICAL CHARACTERISTIC
 - 2.1. CONTACT RESISTANCE : INITIAL 50m MAX. AFTER 100m
 - 2.2. INSULATION RESISTANCE : 100 M MIN.
 - 2.3. DIELECTIC WITHSTANDING VOLTAGE : 500 VAC AT SEA LEVEL
 3. (0) MECHANICAL :
 - 3.1. DURABILITY , MINIMUM: MATED 5000 CYCLES WITHOUT DEGRADING ELECTRICAL
 - 3.2. INITIAL-MATING FORCE: 300g~2000g UNMATING FORCE: 200g~2000g
 - 3.3. AFTER LIFE TESTING-MATING FORCE: 300g~2000g UNMATING FORCE: 200g~2000g

PRODUCT NO.

PJ05-06 A B 03-00

① ② ③ ④

① PRODUCT SERIES:

PJ05 : PHONE JACK CONNECTOR

② PIN NO. :

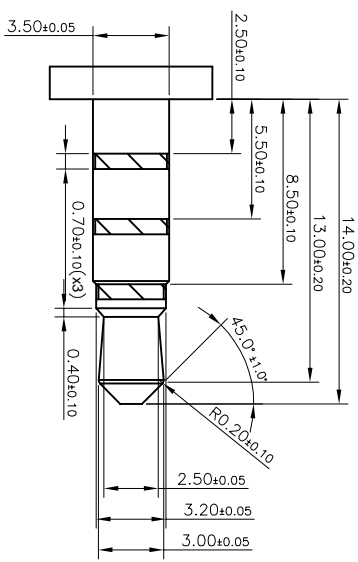
06 : 6PIN

③ MATERIAL:

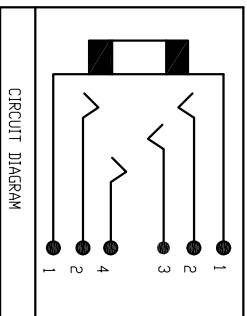
A: LCP

④ SERIES NO. :

00-沅板0.8H SMT+DIP型



THE RECOMMENDED MATING AUDIO PLUG IS 3.50mm 4-POLE PLUG



REV	ECN #	DESCRIPTION	DRAWING	APPROVED	DATE
A		NEW RELEASE	DEV1		2013/01/10

CUSTOMER DRAWING

YTCOON
Dongguan YTCOON Electronics Technology Co., Ltd

GENERAL TOLERANCE
X ±0.20
.XX ±0.15
.XXX ±0.10

ANGLE TOLERANCE
X ±5°
.XX ±2°
.XXX ±1°

DRAWING DEV1 TITLE: PHONE JACK CONNECTOR
APPROVED SMT+DIP型, 沅板0.8mm P/N: PJ05-06AB03-00
DATE: 2013. 01. 10 DRAWING NO. C-PJ05-00

UNIT mm SCALE 1:1 SIZE A4 SHEET 1 of 1 REV A