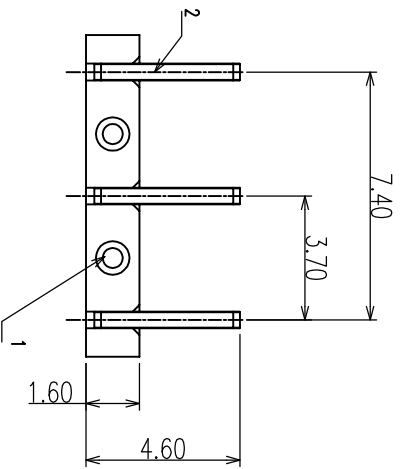
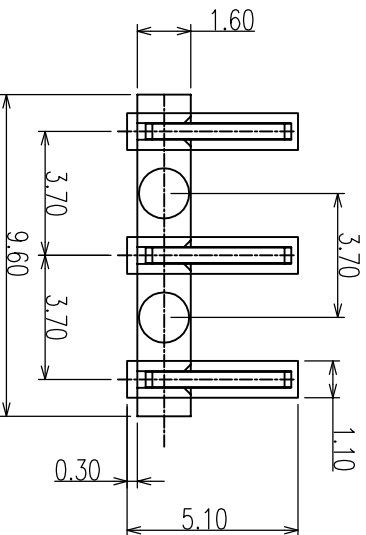
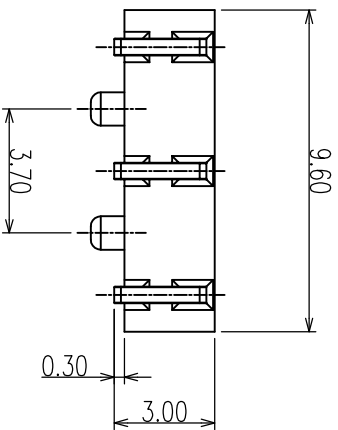


REV	ECN #	DESCRIPTION	DRAWING	APPROVED	DATE
A		NEW RELEASE	DEV1		2012/4/24

NOTES:

1. MATERIAL
- 1.1 HOUSING: THERMOPLASTIC, UL 94V-0 COLOR: BLACK
- 1.2 CONTACT: COPPER ALLOY T=0.50
- 1.3 CAP: THERMOPLASTIC, UL 94V-0 COLOR: BLACK
2. FINISH:
- 2.1 CONTACT: 3U" GOLD PLATING ON CONTACT AREA
- 2.2 80U" MIN NICKEL UNDERPLATING OVER ALL



RECOMMENDED PCB LAYOUT  
TOLERANCE ±0.05

TABLE A :

项目	名称	数量/套	MATERIAL/FINISHED	REMARK
2	端子	3	COPPER ALLOY Au PLATED OVER NICKEL PLATED	
1	胶芯	1	Thermoplastic UL94V-0, BLACK	

- ③ MATERIAL:  
A: LCP
- ④ SERIES NO. :  
01: NOKIA 8600 电池座 带柱

PRODUCT NO.

BT09-03 A B 10-01

- ①
- ②
- ③
- ④

PRODUCT SERIES:

- ① BT09: 3pin 刀式 电池连接器
- ② PIN NO. :
- 03: 3PIN

**YTCOON**  
Dongguan YTCOON  
Electronics Technology Co., Ltd.

CUSTOMER DRAWING	DRAWING	DEV1	TITLE	3PIN 刀式 电池连接器带柱
GENERAL TOLERANCE	APPROVED		P/N:	BT09-03AB10-01
ANGLE TOLERANCE	DATE	2012. 04. 24	DRAWING NO.	C-BT09-01

GENERAL TOLERANCE	X	±0.20
	.X	±0.15
	.XX	±0.10
ANGLE TOLERANCE	X	±3°
	.XX	±2°
	.XXX	±1°

UNIT	mm	SCALE	1:1	SIZE	A4	SHEET	1 of 1	REV	A
------	----	-------	-----	------	----	-------	--------	-----	---