

REV	ECON #	DESCRIPTION	DRAWING	APPROVED	DATE
A		NEW RELEASE	DEYI		2012/4/24

NOTES :

- 1.0. RATING :
- 1.1. VOLTAGE : 12 VAC (R.M.S)
- 1.2. CURRENT : 1 AMPERE MAXIMUM PER CONTACT AT 30°C T-RISE
- 1.3. TEMPERATURE : -20°C TO +70°C
- 2.0. ELECTRICAL CHARACTERISTIC :
- 2.1. CONTACT RESISTANCE : 50 MILLIOHMS MAXIMUM INITIAL
- 2.2. INSULATION RESISTANCE : 100 MEGOHMS MINIMUM
- 2.3. DIELECTRIC WITHSTANDING VOLTAGE : 500 VAC AT SEA LEVEL
- 3.0. MATERIALS :
- 3.1. CONTACT : COPPER ALLOY
- 3.2. HOUSING : THERMOPLASTIC, GLASS FILLED, 130°C, UL 94V-0 RATED
- 4.0. MECHANICAL :
- 4.1. INSERTION FORCE(PER CONTACT): 300~3000 GRAMS
- 4.2. WITHDRAWAL FORCE(PER CONTACT): 300~3000 GRAMS
- 4.3. DURABILITY : MINIMUM: MATED 5000 TIMES WITHOUT DEGRADING ELECTRICAL CHARACTERISTICS
- 4.4. CONTACT FORCE, MINIMUM: 80 GRAMS

PRODUCT NO.

PJ01-06 A B 05-01

① ② ③ ④

PRODUCT SERIES:

① PJ01: PHONE JACK CONNECTOR

② PIN NO. :

04: 4PIN

06: 6PIN

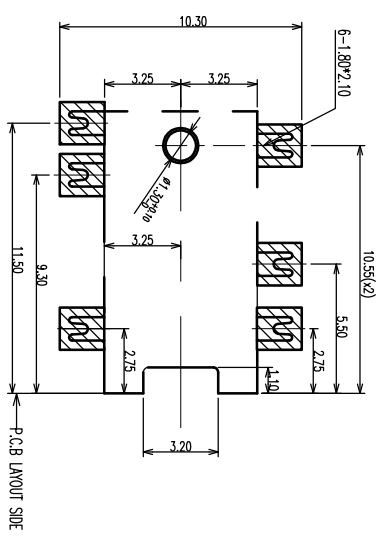
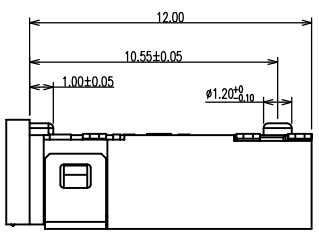
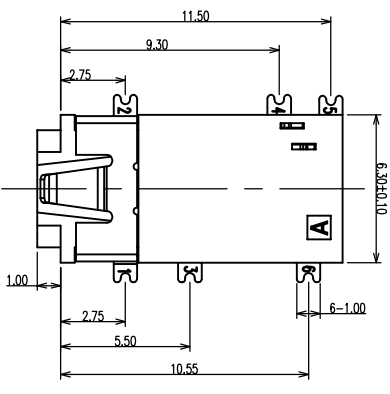
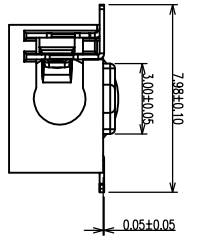
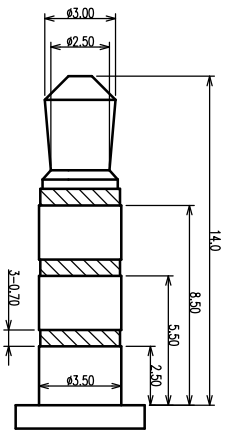
③ MATERIAL:

A: PA-9T

④ SERIES NO. :

01: \varnothing 3.5mm 短头 H=4.0mm

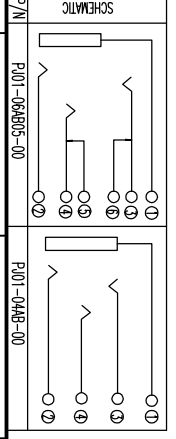
(\varnothing 3.50mm 4 POLE PLUG DETAIL DRAWING)



PCB LAYOUT
TOP VIEW

PCB LAYOUT
SIDE

NO.	Part Name	QTY	Description	Plated/Color	Note
1	TERMINAL A	1	CS270R-H T=0.20mm	Plated Au	
2	TERMINAL B	1	CS270R-H T=0.20mm	Plated Au	
3	TERMINAL C	1	CS270R-H T=0.20mm	Plated Au	
4	TERMINAL D	1	CS270R-H T=0.20mm	Plated Au	
5	TERMINAL E	1	CS270R-H T=0.20mm	Plated Au	
6	TERMINAL F	1	CS270R-H T=0.20mm	Plated Au	
7	HOUSING	1	LCF+50%GF/PA66+40%GF	Cover BLACK	(UL-94V-0)



CUSTOMER DRAWING

YTCONN

Dongguan YTCONN Electronics Technology Co., Ltd.

GENERAL TOLERANCE
X: \pm 0.20
.XX: \pm 0.15
.XXX: \pm 0.10

ANGEL TOLERANCE
X: \pm 3°
.XX: \pm 2°
.XXX: \pm 1°

DRAWING DEYI TITLE: PHONE JACK CONNECTOR(短头)

APPROVED P/N: PJ01-06AB05-01

DATE: 2012.04.24 DRAWING NO.: C-PJ01-01

UNIT	mm	SCALE	1:1	SIZE	A4	SHEET	1 of 1	REV	A
------	----	-------	-----	------	----	-------	--------	-----	---