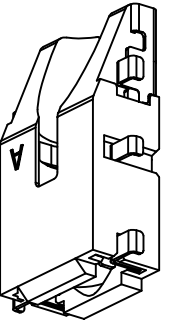
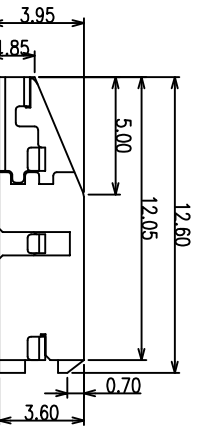
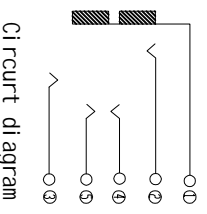
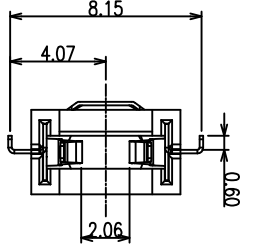
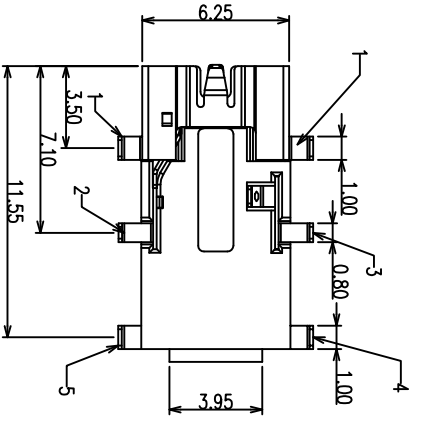
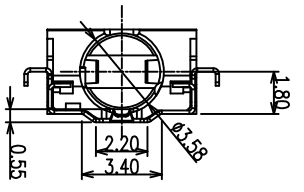


REV	ECN #	DESCRIPTION	DRAWING	APPROVED	DATE
A		NEW RELEASE	DEV1		2012/05/25



- NOTES:
1. CONTACT CURRENT RATING: 1A.
 2. CONTACT RESISTANCE: 50 mΩ MAX.;
 3. INSULATION RESISTANCE: 1000 Ω MIN.;
 4. DIELECTRIC WITHSTANDING: 500V AC MIN.;
 5. DURABILITY: 5,000 CYCLES MIN.;
 6. CONNECTOR MATING FORCES: 29.4N (3.00kgf) MAX.;
 7. CONNECTOR UNMATING FORCES: 2.94N(O.30kgf) MIN.;



PRODUCT NO.

PJ23-05 A B 03-08

① ② ③ ④

① PRODUCT SERIES:
PJ23: PHONE JACK CONNECTOR.

② PIN NO.:

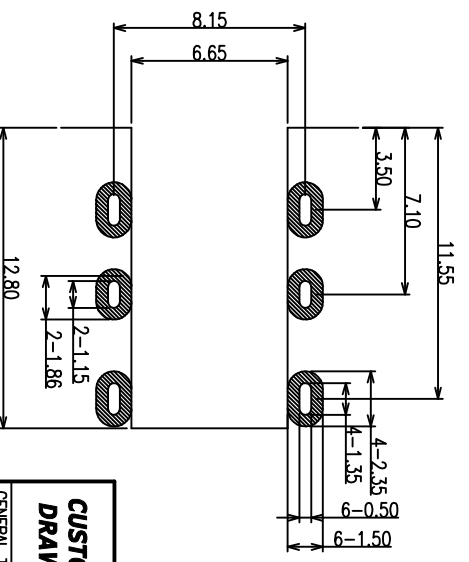
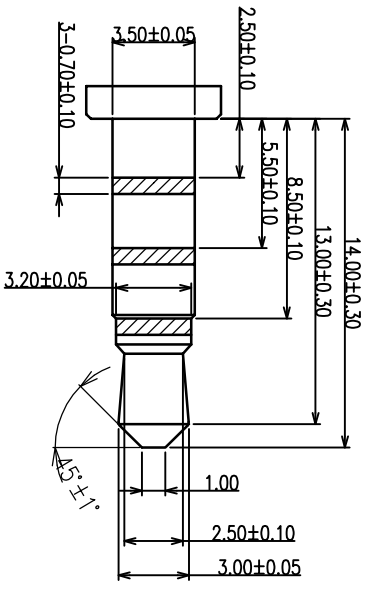
05: 5PIN

③ MATERIAL:

A: PA9T

④ SERIES NO.:

08:斜口,正向沉板1.8H



PLUG SPEC

YTCOON

Dongguan YTCOON Electronics Technology Co., Ltd

CUSTOMER DRAWING

GENERAL TOLERANCE

X ±0.20
.XX ±0.15
.XXX ±0.10

DRAWING DEV1

DATE 2016.01.13

TITLE: PHONE JACK CONNECTOR沉板1.8H斜口
P/N: PJ23-05AB03-08
DRAWING NO. C-PJ23-08

ANGEL TOLERANCE
X ±5°
.XX ±2°
.XXX ±1°

APPROVED

UNIT mm SCALE 1:1

SIZE A4 SHEET 1of1 REV A