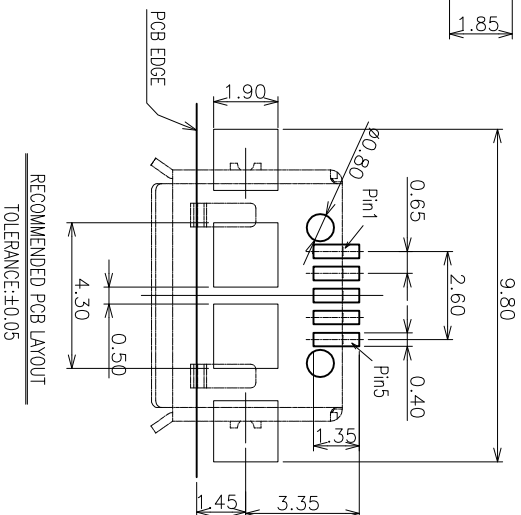
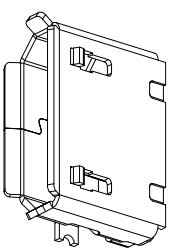
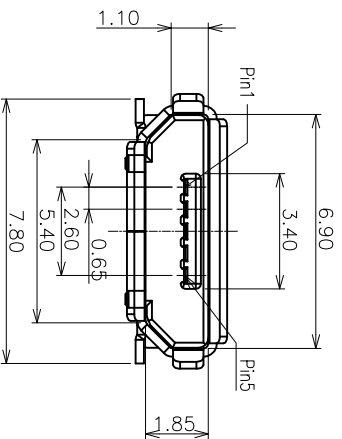
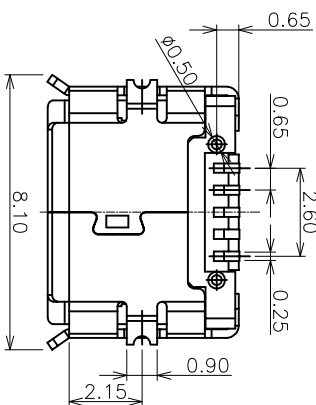
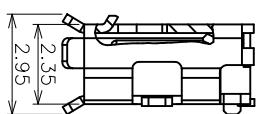
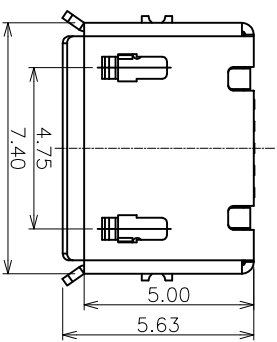
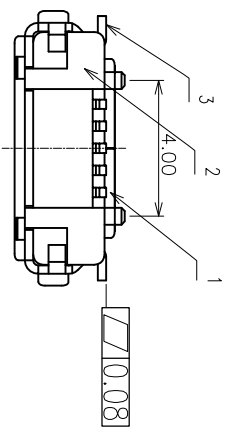


REV	ECN #	DESCRIPTION	DRAWING	APPROVED	DATE
A		NEW RELEASE	DEV1		2012.04.26



- NOTES:
1. MATERIAL:
A. PIN&SHELL: ALLOY COPPER
B. INSULATOR: HIGH TEMPERATURE THERMOPLASTICS UL94V-0, BLACK.
 2. ELECTRICAL SPECIFICATIONS:
VOLTAGE RATING: 250 VAC MIN
CURRENT RATING: 2.0 A MIN
DIELECTRIC STRENGTH: 100 VAC FOR 1 MINUTE MIN
INSULATION RESISTANCE: 100 MEG OHM MIN
CONTACT RESISTANCE: 100 MILL OHM MAX
OPERATION TEMPERATURE: -55ï¿½ TO +125ï¿½
 3. MECHANICAL SPECIFICATIONS:
4.1 DURABILITY: 5,000 CYCLES
 4. THE DIMENSION MARKED NO. SHOULD BE CHECKED IN PRODUCTION.
 5. MATERIAL SHOULD BE FULFILLED ROHS REQUIREMENTS.

PRODUCT NO.

MI05 - 05 A B 05 - 01

① ② ③ ④

- ① 产品系列:
MI05: MICRO USB 连接器
- ② 产品PIN数:
05: 5PIN
- ③ 主体材质:
A: LCP
- ④ SUFFIXES NO. :
01: 标准型带柱

TABLE A:

ITEM	NAME	Q'TY/EACH	MATERIAL/FINISHED	REMARK
3	SHELL	1	ALL Tin PLATED	
2	HOUSING	1	Thermoplastic UL94V-0, BLACK	
1	CONTACT	5	Au PLATED OVER Sn PLATED	

YTCOMM
Dongguan YTCOMM
Electronics Technology Co., Ltd.

CUSTOMER DRAWING

GENERAL TOLERANCE

X ±0.20
XX ±0.15
XXX ±0.10

DRAWING DEVT1

TITLE

Micro USB 5 PIN CONNECTOR

APPROVED

P/N:

MI05-05AB05-01

ANGEL TOLERANCE

X ±3
XX ±2
XXX ±1

DATE 2012. 04. 26

DRAWING NO. C-MI05-01



UNIT mm SCALE 1:1 SIZE A4 SHEET 1 of 1 REV A