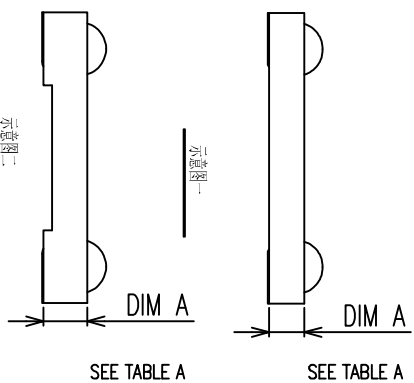
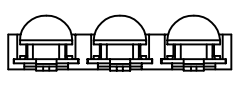
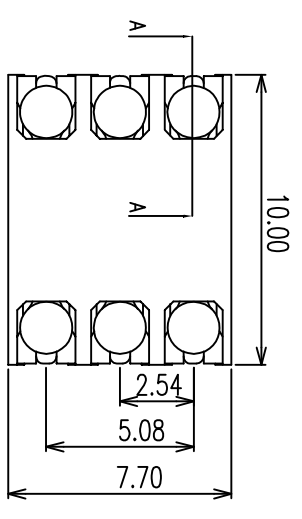


| | | | | | |
|-----|-------|-------------|---------|----------|----------|
| REV | EON # | DESCRIPTION | DRAWING | APPROVED | DATE |
| A | | NEW RELEASE | DEY1 | | 04/26/12 |

- NOTES:
- 1.0 RATING:
 - 1.1 VOLTAGE:12 VAC (rms)
 - 1.2 CURRENT: 1 AMPERES MAX. PER CONTACT
 - 1.3 OPERATION TEMPERATURE RANGE: -25°C~+70°C
 - 2.0 ELECTRIC CHARACTERISTIC:
 - 2.1 CONTACT RESISTANCE:60Ω MAX
 - 2.2 INSULATION RESISTANCE:1000MΩ MIN.
 - 2.3 DIELECTRIC WITHSTANDING VOLTAGE:500V AC FOR 1 MINUTE
 - 3.0 OPERATION LIFE: 5000 CYCLES
 - 4.0 MATERIAL/FINISH:SEE TABLE
 - 5.0 CONTACT PIN ASSIGNMENT:SEE TABLE



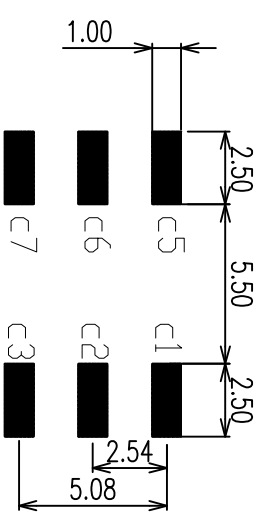
SEE TABLE A

SEE TABLE A

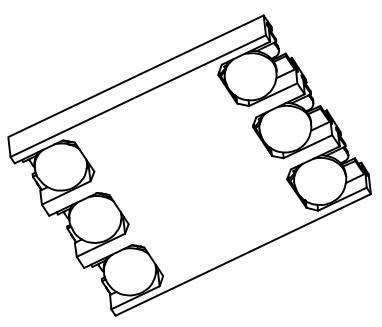
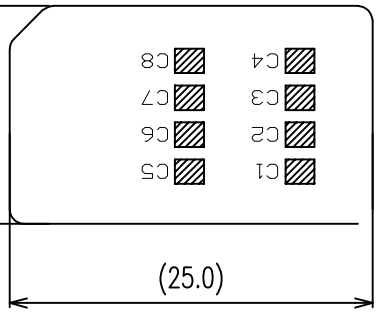
- 料号编程
- SM08-06 A B 05-XX**
- ① 产品系列: SM08;SLM卡连接器
 - ② 产品PIN数: 06; 6PIN
 - ③ 塑胶材料: A: LCP
 - ④ 塑胶颜色: B: 黑色
 - ⑤ 产品流水号
- XX: SEE TABLE A**

TABLE A:

| PRODUCT NO. | DIM A | 备注 |
|----------------|-------|------|
| SM08-06AB05-00 | 1.20 | 示意图一 |
| SM08-06AB05-01 | 1.50 | 示意图二 |
| SM08-06AB05-02 | 1.80 | 示意图二 |
| SM08-06AB05-03 | 2.00 | 示意图二 |
| SM08-06AB05-04 | 2.20 | 示意图二 |
| SM08-06AB05-05 | 3.30 | 示意图二 |
| SM08-06AB05-06 | 3.50 | 示意图二 |
| SM08-06AB05-07 | 3.80 | 示意图二 |



RECOMMENDED PCB LAYOUT



| | | | | | |
|-------------------------|---------------------------------|----------------------------------------------------------------------------|------------|---------------------------------------------------------|----------------------------------|
| CUSTOMER DRAWING | | YTCONN http://www.ytconn.com | | Dongguan YTCONN Electronics Technology Co., Ltd. | |
| GENERAL TOLERANCE | X ±0.20 X ±0.15 .XX ±0.10 | DRAWING | DEY1 | TITLE | SLM CARD STANDARD TYPE CONNECTOR |
| ANGLE TOLERANCE | X ±3° XX ±2° XXX ±1° | APPROVED | | P/N: | SM08-06AB05-XX |
| DATE | 2012.04.26 | DATE | 2012.04.26 | DRAWING NO. | C-SM08-00 |
| UNIT | mm | SCALE | 1:1 | SIZE | A4 |
| SHEET | 1 of 1 | SHEET | 1 of 1 | REV | A |