

REV	ECH #	DESCRIPTION	DRAWING	APPROVED	DATE
A		NEW RELEASE	DEYI		2012\04\26

SPECIFICATIONS

- VOLTAGE RATING:30V AC
- CURRENT RATING:WHEN APPLYING CURRENT ONLY TO SIGNAL TERMINALS:
1.0A(FOR TERMINAL NO.2,3 AND 4)
WHEN APPLYING CURRENT ONLY TO POWER TERMINALS:
1.8A(FOR TERMINAL NO.1 AND 5)
- INSULATION RESISTANCE:100M MIN/AT 100V DC
0.5A(FOR TERMINAL NO.2,3 AND 4)
- DIELECTRIC WITHSTANDING VOLTAGE:100V(r.m.s)AC FOR 1 MINUTE
- CONTACT RESISTANCE:30m MAX.
- OPERATING TEMPERATURE:-30 TO +80.

PRODUCT NO.

MU13 - 05 A B 05 - 00

- ①
- ②
- ③
- ④

① 产品系列:

MU13: MICRO USB SPIN RECEPTACLE

② 产品PIN数:

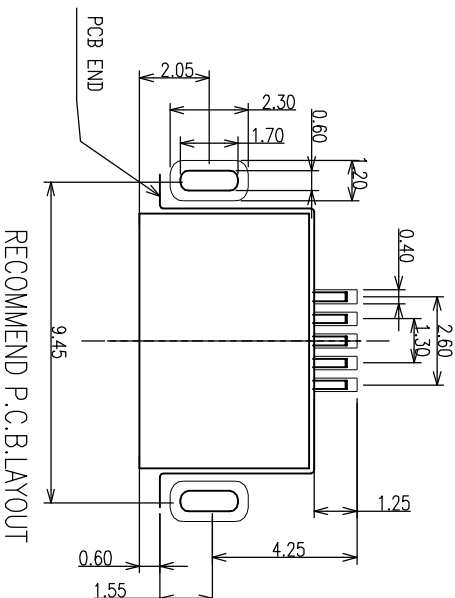
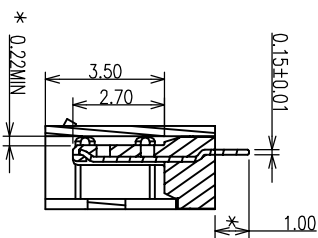
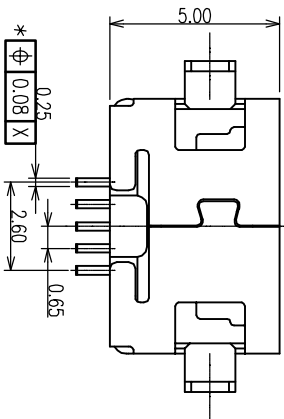
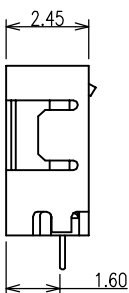
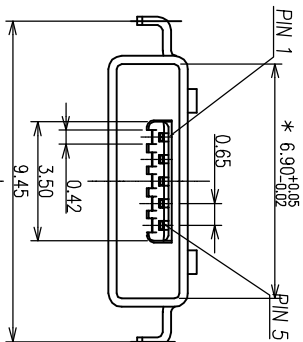
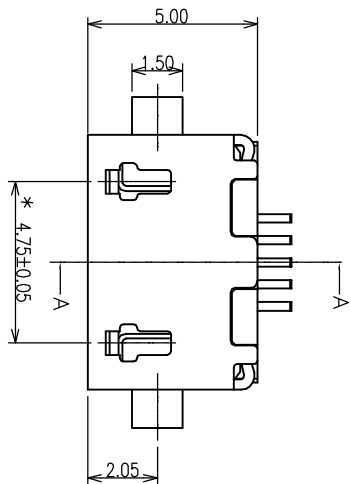
05: 5PIN

③ 材质:

A: LCP

④ 产品流水码:

00: 沉板1.6 DIP9.45 方口 AB TYPE



CUSTOMER DRAWING		YTCONN http://www.ytconn.com		Dongguan YTCONN Electronics Technology Co., Ltd	
GENERAL TOLERANCE	X X ±0.20 XX ±0.15 XXX ±0.10	DRAWING	DEYI	TITLE	MICRO USB SPIN RECEPTACLE
ANGEL TOLERANCE	X ±3° XX ±2° XXX ±1°	APPROVED		P/N:	MU13-05AB05-00
		DATE	2013. 05. 11	DRAWING NO.	C-MU13-00
		UNIT	mm	SCALE	1:1
		SIZE	A4	SHEET	1of1
		REV			A