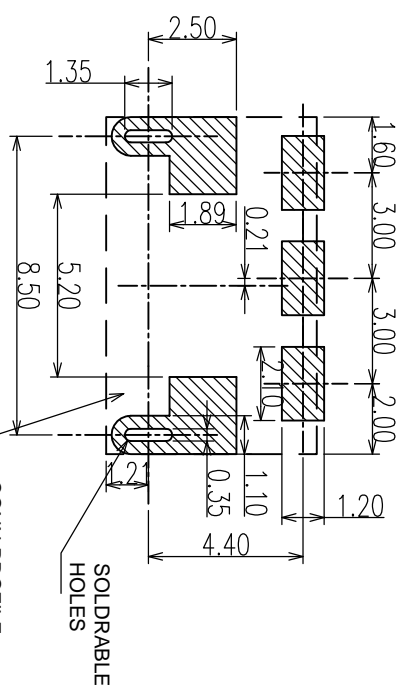
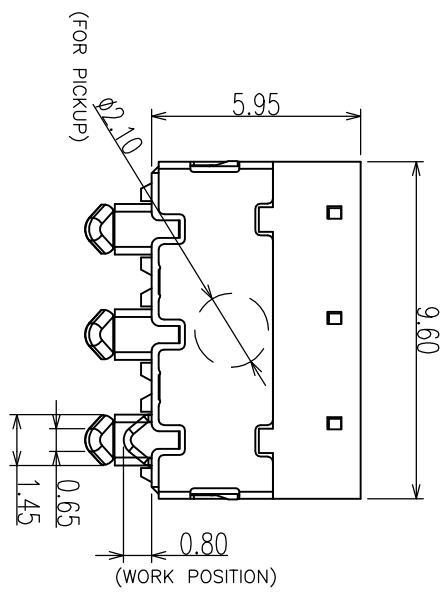
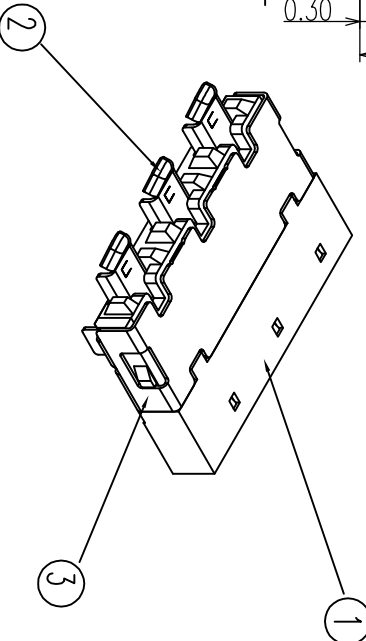
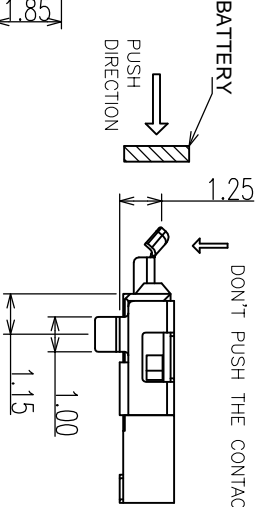
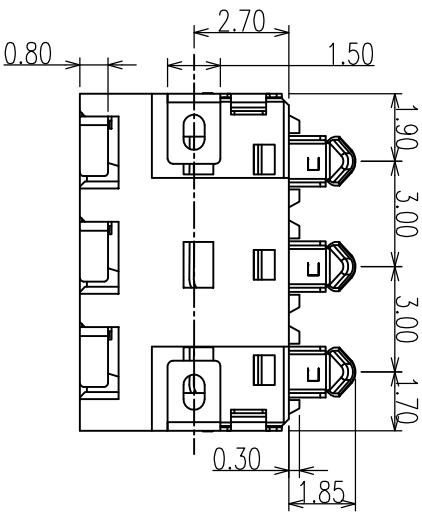
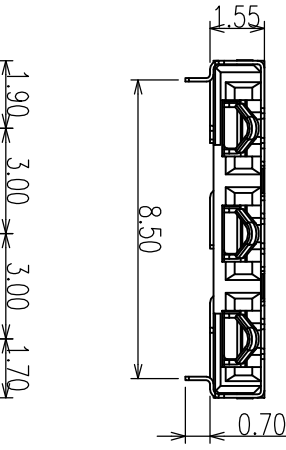


REV	EON #	DESCRIPTION	DRAWING	APPROVED	DATE
A		NEW RELEASE	DEYI		2012/4/24



RECOMMENDED PCB LAYOUT  
TOLERANCE: ±0.05



- NOTES:
- MATERIAL
  - 1.1 HOUSING: THERMOPLASTIC, UL 94V-0 COLOR: BLACK
  2. CONTACT: COPPER ALLOY T=0.50
  3. CAP: THERMOPLASTIC, UL 94V-0 COLOR: BLACK
2. FINISH:
1. CONTACT: 3U" GOLD PLATING ON CONTACT AREA
  - 80U" MIN NICKEL UNDERPLATING OVER ALL

PRODUCT NO. BT21-03 A B 05-04  
 ① ② ③ ④  
 PRODUCT SERIES:

- ① BT21: 3PIN BATTERY CONNECTOR T 1.5H 3.0PITCH
- ② PIN NO. : 03: 3PIN
- ③ MATERIAL: A: LCP
- ④ SERIES NO. : 04: 1.5h接触点上翘型

TABLE A:

ITEM	NAME	QTY	MATERIAL / FINISH
3	SHELL	1	STAINLESS STEEL/PLATED GOLD ON PAD
2	CONTACT	3	COPPER ALLOY/CONTACT AREA GOLD PLATED
1	HOUSING	1	HIGH TEMPERATURE UL 94-V0 BLACK

**CUSTOMER DRAWING**  
**YTCOON**  
<http://www.hnytc.com>  
**Dongguan YTCOON Electronics Technology Co., Ltd.**

GENERAL TOLERANCE	DRAWING	DEYI	TITLE:
X ±0.20			3PIN BATTERY CONNECTOR T 1.5H 3.0PITCH
.XX ±0.15	APPROVED		接触点上翘型
.XXX ±0.10			
ANGEL TOLERANCE	DATE	2015.02.07	DRAWING NO. C-BT21-04
X ±3°	UNIT	mm	SCALE 1:1
.XX ±2°	SIZE	A4	SHEET 1 of 1
.XXX ±1°	REV	A	

